

**Note**

1. Do not fix the device to any surface which is a heat source to avoid over heating
2. Do not cover the surface or ventilation grills of the device to avoid over heating

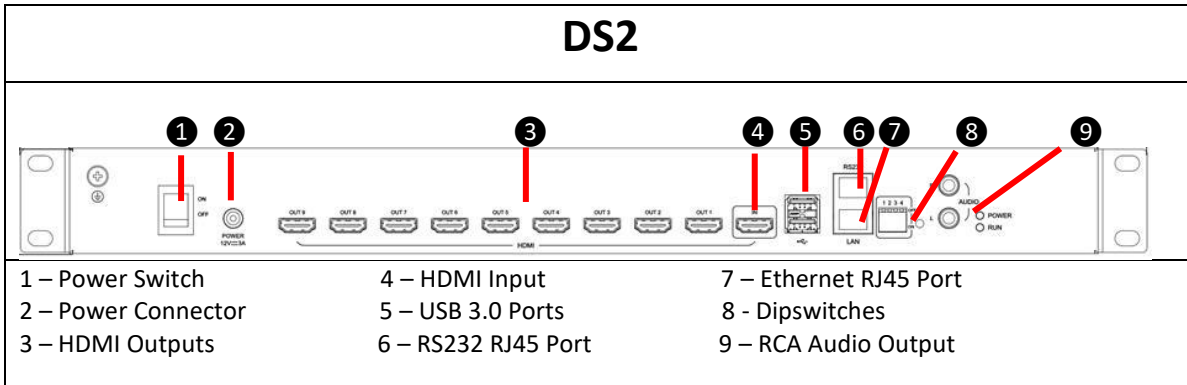
**1. Verify the package contents**

Please verify the package contents against the List Below

- |                                |   |                                   |   |
|--------------------------------|---|-----------------------------------|---|
| • DS2 Edge Blending Controller | 1 | • Power Supplier                  | 1 |
| • DS2 Quick Start Manual       | 1 | • Ethernet Cable                  | 1 |
| • Download Guide Card          | 1 | • RS232 RJ45 to Serial Port Cable | 1 |

**2. Set Up the DS2:**

Power up the DS2 controller and connect the input and outputs to correct devices.

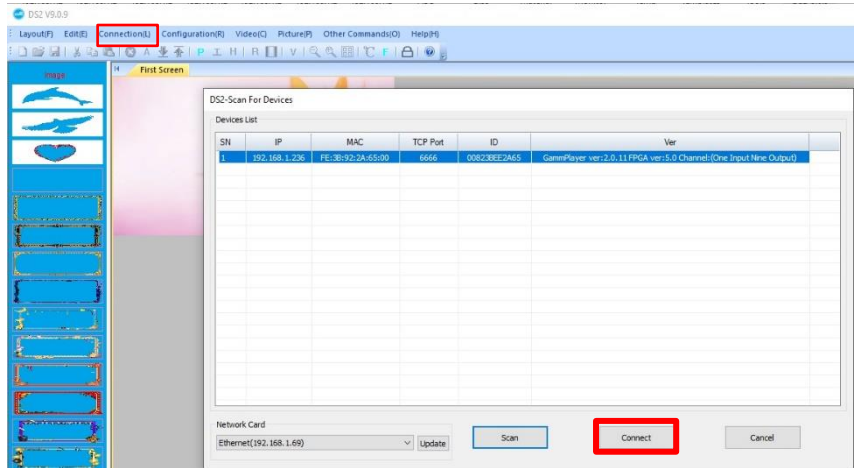


**3. Run the software on control PC and connect through Network:**

From the **Connection** tab select **Player Connection Setting**. When scan is finished, choose the device from the list, and click **Connect**.

**Note:**

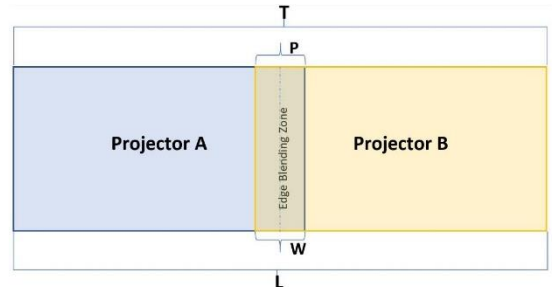
The default IP address for DS2 is **192.168.1.236**. Users need to change the IP address of the control PC to the same network segment as the DS2.



**4. DS2 System Setup**

In **Configuration** tab select **System Setup** to commence a 3 step Edge Blending process.

Before you start Edge Blending **Calculate the Edge Blending Width**



Use the equation below:

$$W = \frac{L \times P}{T}$$

**W:** Edge Blending overlap width  
**L:** Length of the projection screen

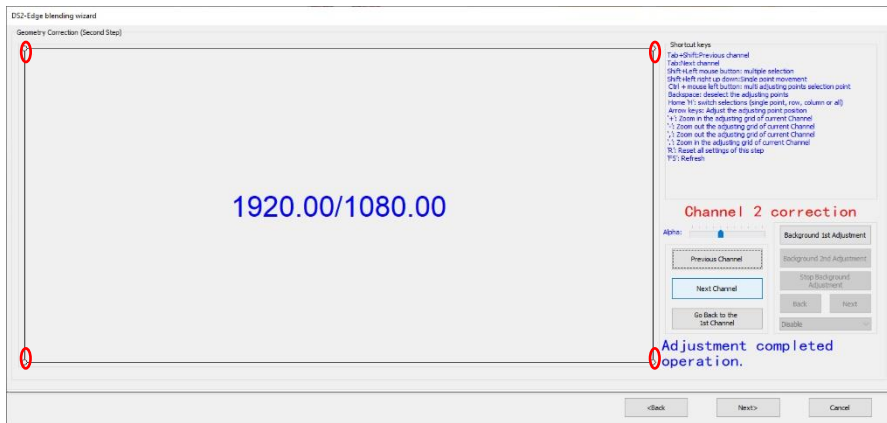
**T:** Total Pixels of the projection  
**P:** Total Pixels of Edge Blending zone

## Step 1: Set up the layout and parameters of the Edge Blending zone:



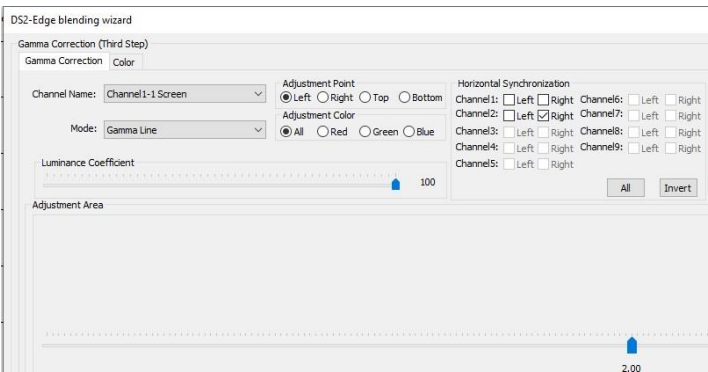
- Select the layout, angle, and overlap width
- Choose Channels to adjust and click **Next**

## Step 2: Geometry Correction:



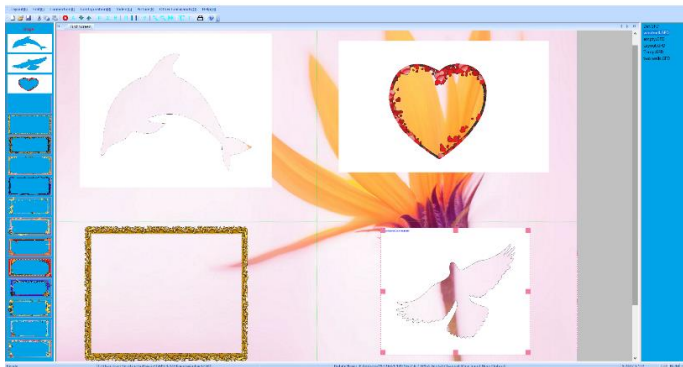
- Choose the Channel
- Select adjustment points and move them around to match the edges of projection screen
- Adjust Grids of Blending Zone, they should overlap perfectly
- Click **Next**

## Step 3: Gamma Correction



Select **Gamma Line Mode** to use SEADA optimized linear adjustment tool

## 5. Basic Operations:



Use DS2 management software to create some unique layouts display captured video in frames and shapes.

This quick start guide provides basic instructions for setting up SEADA DS2 Edge Blending controllers. For additional information about how to use the controllers, please refer to the DS2 User Guide (SD-MA-029), which is available on [www.seada.co.uk](http://www.seada.co.uk).