

GENESIS™ 2000

4K AVoIP System



Overview

GENESIS™2000 (G2000) is a 4K AVoIP system based on JPEG2000 technology. It allows the distribution of 4K video and audio signal over a network up to lengths of 100m within 1Gb management. The system also supports bi-directional IR, RS-232 & USB and CEC signals over Ethernet.

G2000 system supports both unicast and multicast functions which enable the system to do point-to-point signal distribution, and also allow it to do video matrix and up to 9x9 video wall.

G2000 system uses visually lossless compression technology to deliver 18Gbps signal with virtually no latency. Moreover, G2000 can act like USB hub with USB function allowing the system to be used as a KVM switch and USB data transfer extenders.

All units in G2000 system can be powered via PoE from the network switch or locally via a power supply, which makes the power cabling of the system flexible and simplified.

Key Features

- HDMI 2.0b, HDCP 2.2 compliant
- Input supports up to 4K60 4:4:4, output supports 4K30 4:4:4
- Transmit video, audio, IR, RS-232, CEC and USB signals over Ethernet
- Support unicast and multicast functions
- Support point-to-point, video matrix and video wall functions (video wall supports up to 9x9)
- Support KVM
- JPEG2000 Mainstream and standard H.265 codec Secondary Stream
- Support PoE function
- Flexible control through Web GUI/TCP/RS-232/IR and third-party controller
- Support digital and analog audio
- Support audio embed and de-embed
- Smart networking design for easy and flexible installation

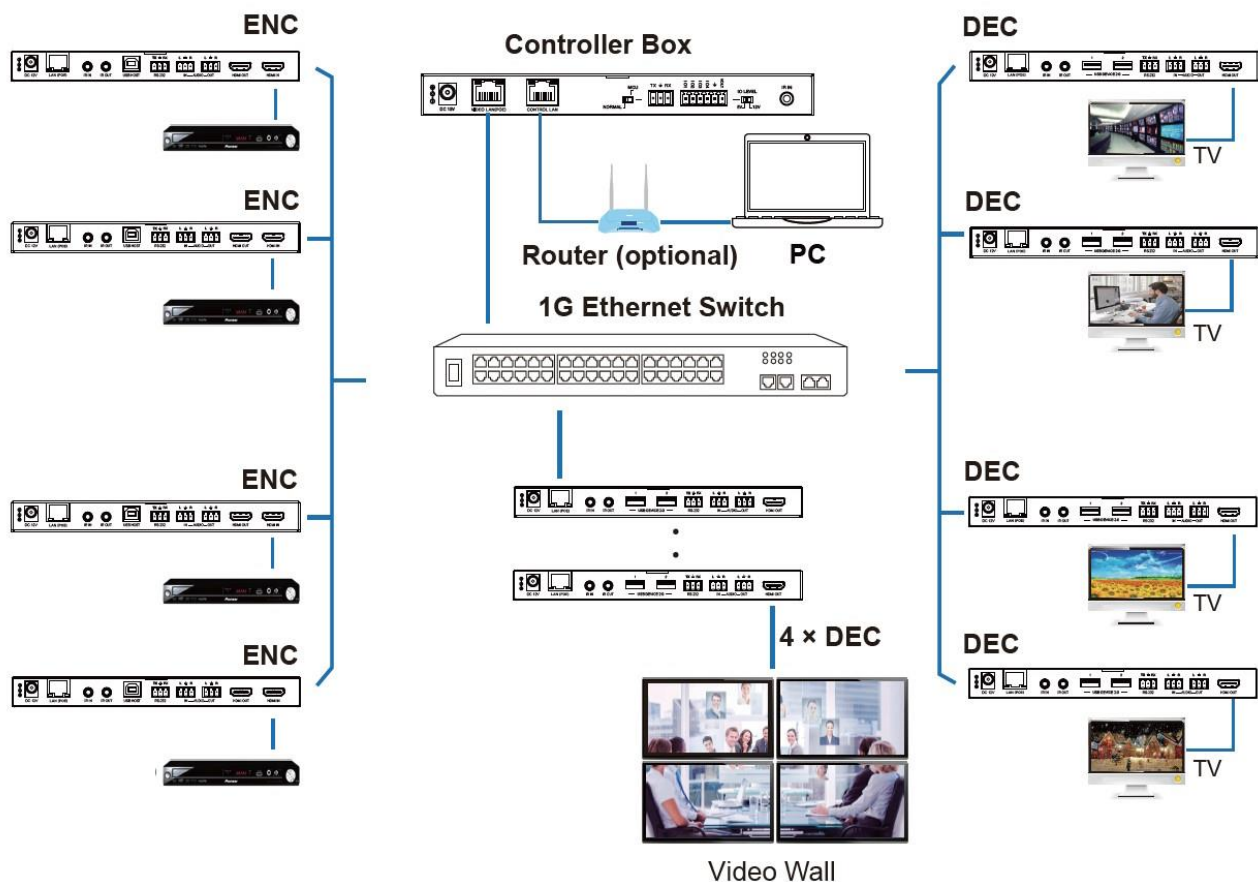


Specifications

Video Resolution	480i ~1080p@50/60Hz, 4K@24/30Hz, support 4K@50/60Hz input
Colour Space	RGB, YCbCr 4:4:4 / 4:2:2, YUV 4:2:0
Color Depth	8-bit, 10-bit, 12-bit
Video Network Bandwidth	1G
HDMI Audio Formats	LPCM 2.0/5.1/7.1CH, Dolby Digital/Plus/EX, Dolby True HD, Dolby Atmos, DTS, DTS-96/24, DTS-EX DSD, DTS High Res, DTS-HD Master, DTS:X
Power Supply	PoE or DC 12V/1A
Transmission Distance	100M CAT5E/6/6A/7
Warranty	2 years
Operating temperature range	0~40 degrees centigrade
Operating humidity range	20%-90% (no condensation)
Storage temperature range	-20~60 degrees centigrade
Storage humidity range	10%~90%
Control Interface	TCP/IP control network port/RS232

Models

Models	G2000ENC	G2000DEC	G2000CTL
Type	Encoder	Decoder	Controller



System Diagram