

G Lite

HDMI AV over IP



Overview:

Designed to distribute HD video signals over long distances the HDMI AV over IP is a cost-effective solution for digital signage, presentation and demonstration applications. The G Lite HDMI AV over IP is capable of broadcasting HD over a standard 1G network to one or multiple display devices. It offers configurable high quality, low bandwidth H265 compressed video of up to 1920x1200 @60HZ YCbCr 4:4:4 resolution.

HDMI AV over IP includes two units: Encoder and Decoder. Both devices can be configured via Web. Encoder captures HDMI input with IR blaster signal, this device also supports HDMI loop output. The Encoder allows for video stream through corresponding software such as **VLC Media Player**. The Decoder outputs HDMI signal from Encoder with IR receiver signal.

The Encoder and Decoder can be connected using Cat5e/6 cable of up to 100m/328ft, to create a low-cost HDMI and IR Extender.

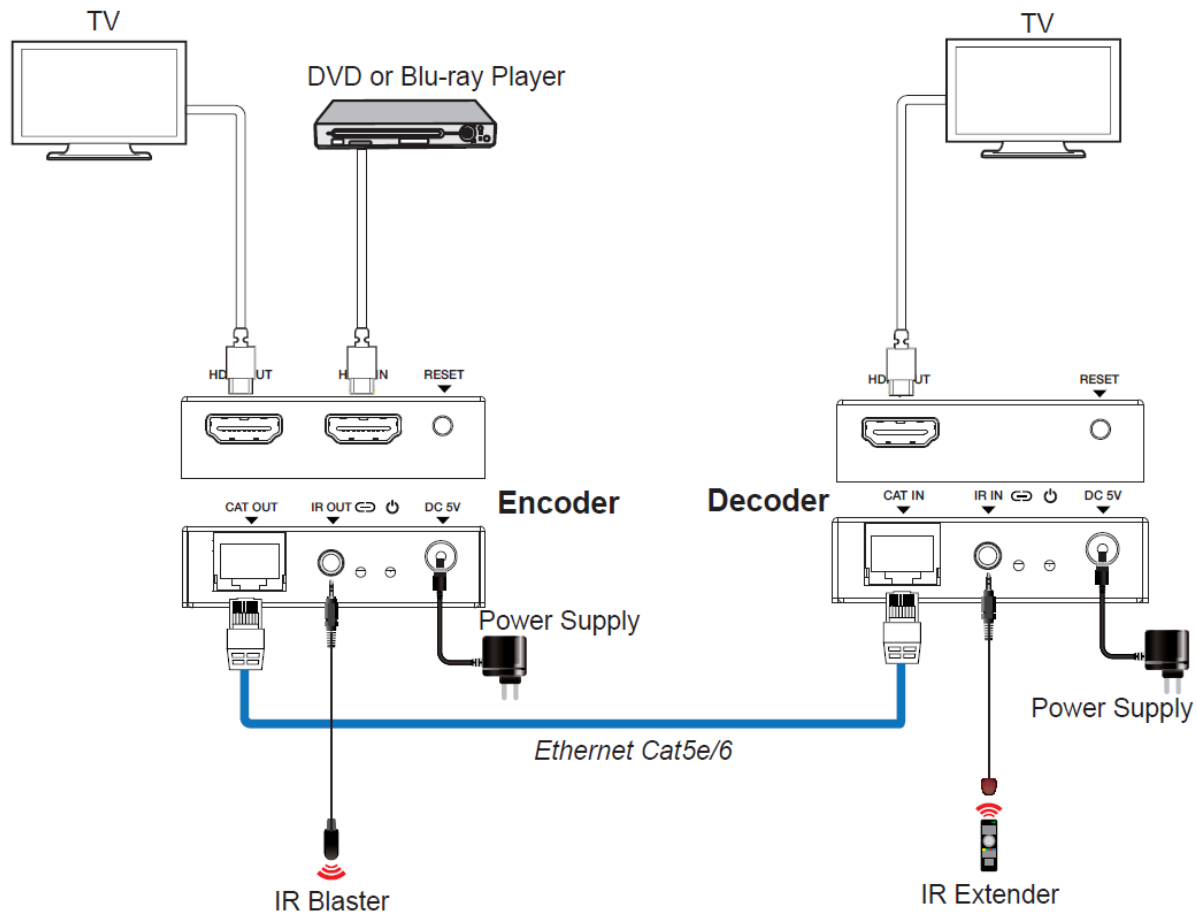
Features:

- HDMI 1.4b, HDCP 1.4 compliant.
- Supports 10.2Gbps bandwidth.
- Video resolution up to 1920x1200@60Hz YCbCr 4:4:4.
- Extension of up to 100m/328ft between Encoder and Decoder via Cat5e/6 cable.
- Support both H.265, H264 standards encoding / decoding.
- Support 1G standard IP switcher / router / hub.
- Support one-way IR control.
- Compact design for easy and flexible installation.



Specifications

Video Bandwidth	10.2Gbps
Input Ports	Encoder: 1x HDMI Type A [19-pin female] Decoder: 1xIR IN [3.5mm Stereo Mini-jack] 1xCAT IN [RJ45 connector]
Output Ports	Encoder: 1x HDMI Type A [19-pin female] 1xIR OUT [3.5mm Stereo Mini-jack] 1xCAT OUT [RJ45 connector] Decoder: 1x HDMI Type A [19-pin female]
Video Resolution	640x480@60Hz~1920x1200@60Hz
HDMI Audio Format	LPCM 2.0CH,48KHz
HDMI Compliance	HDMI 1.4b
HDCP Compliance	HDCP 1.4
IR Frequency	20KHz ~ 60KHz
Compression Technology	H264, H265
ESD Protection	Human body model—±8kV (Air-gap discharge) & ±4kV (Contact discharge)
Power Supply	5V/1A DC
Power Consumption	Encoder:1.5W, Decoder: 1.2W
Dimensions	88mm (W)×61.2mm (D)×16.5mm (H)
Weight	Encoder: 155g, Decoder: 150g
Operating Temperature	-10°C ~ 50°C / 14°F ~ 122°F
Warranty	2 years



System Diagram