

SEADA CONFERENCE

SC13FM Motorised & Retractable Monitor



Simplifying
Conference Rooms

This SC13FM motorised retractable monitor is one of the latest innovations from SEADA CONFERENCE.

SC13FM offers compact & Ergonomic design which giving adjustable screen viewing angle and large leg room for different users.

This system can be used as a standalone unit in class rooms, offices, receptions etc. In addition, it can operate as a multi units' system with the SEADA paperless conference platform. SEADA conference platform has multiple screens across the table which allows all the participants to have a clear view of the information.

When it is not in use, the monitor can be retracted into the housing beneath the desk. This makes the desk surface tidy as well as putting the monitor in a safe and secure location.

- Ergonomic design
- Fine powder coated surface finish
- Stylish design
- Optimised viewing angle
- Adjustable viewer angle
- HDCP compliance
- Integrated PC power switcher
- Integrated input video sources switcher
- Illuminated capacitive touch buttons
- Compatible with SEADA Multimedia Conference Platform

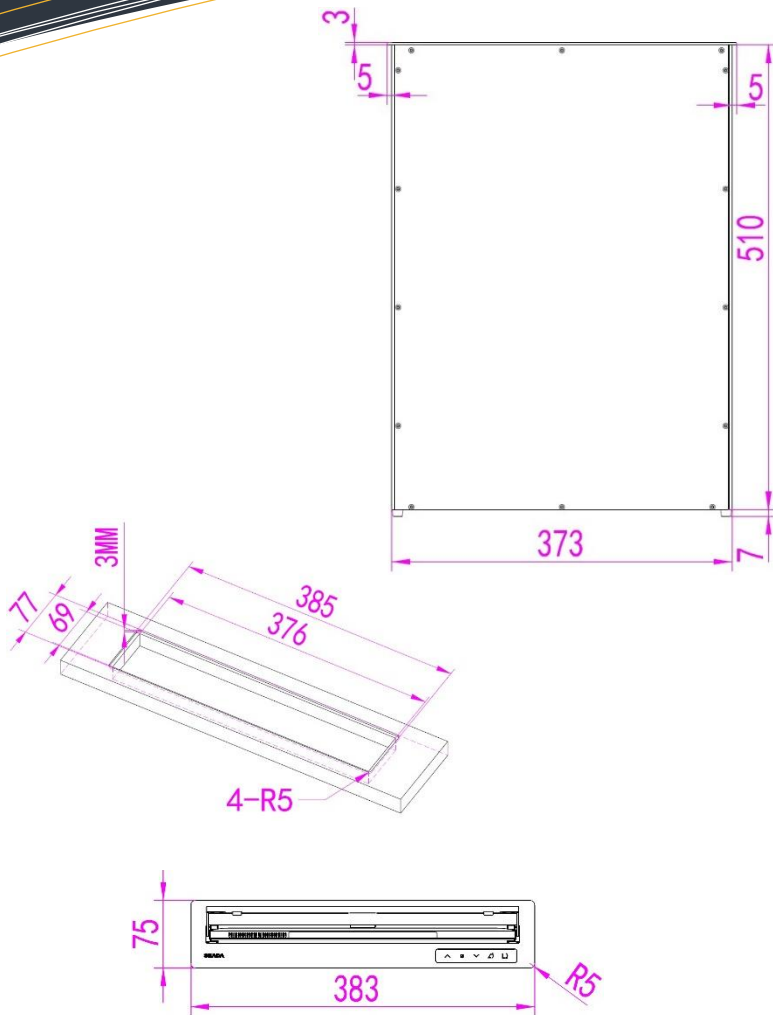
SEADA CONFERENCE
Oak Tree Park
Burnt Meadow Road
Moons Moat North Industrial Estate,
Redditch, Worcestershire, UK, B98 9NW
www.seada.co.uk
Email: sales@seada.co.uk
Phone: +44 (0)1527 584364
Fax: +44 (0)1527 962998

Solutions that work for your meeting and conference room.

MOTORIZED & RETRACTABLE MONITORS

From SEADA CONFERENCE

Specifications



Model	SC13FM
Viewing Angle	0-25°
Control	RS485 & remote control
Screen Size (inches)	13.3
Display Resolution	1920x1080
Touch Screen	Optional
Frame Finish	Anodised Aluminium
System Desktop Frame Size	383mm*75mm*3mm
Housing Desktop Cut Size	376mm* 69mm
System Weight	12kg
System Dimensions(with feet)	520*383mm*75mm
System Shipping Weight	13kg
System Shipping Dimensions	600mm*420mm*210mm
Operating Temperature Range	0~40°
Operating Humidity Range	10%~90% non-condensing
Storage Temperature Range	-20~60°
Storage Temperature Range	10%~90% non-condensing
Parts Warranty	3 Years

Customization

SEADA CONFERENCE is able to customize our products according to each customer's requirement.