

# SC15FZW Motorised Foldable Monitors

## FOLDABLE MONITOR

With its motorised foldable design, the monitor gives users flexible screen view angle which can have the position angle of the screen set between 100 to 180 degrees.

## OPTIONAL TOUCH SCREEN ABILITY

It also offers touch screen ability as option if users want to free from using a mouse and keyboard.



## Overview

The SC15FZW is the Motorised Foldable Monitor designed by SEADA to offer solutions for the Conference room, Office, Hotel, School, Control centre, Institutions, Auditorium and Reception with its elegant, stylish, and multi-functional design. The unit can be folded completely flat to the surface of the desk automatically with screen facing up or any degree between 100 to 180 to offer the best screen view angle to users.

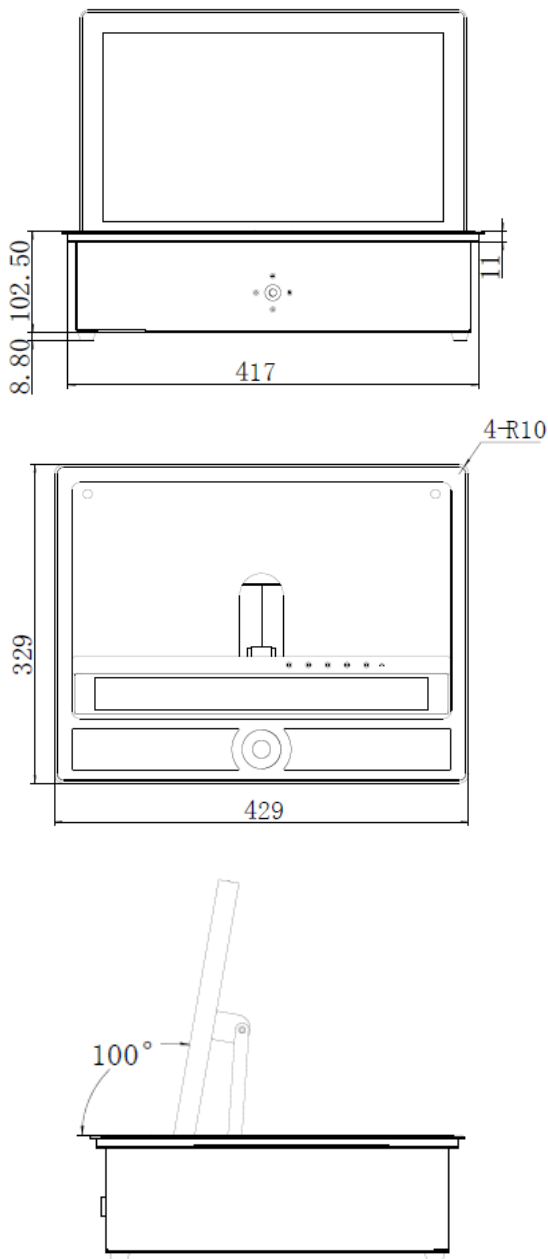
The SC15FZW coming with powder coated and anodised finish provides a soft, silky effect and comes in black or silver finish for customers to choose from.

The standalone SC15FZW unit also has the ability to form a large paperless conference room system with more SC15FZW units or other SEADA conference products. This can be achieved by using the SEADA multimedia conference server.

# Solutions that work for your meeting and conference room

SC15FZW MOTORISED FOLDABLE MONITORS

From SEADA



<b>Model</b>	SC15FZW
<b>Screen Position Angle</b>	100-180°
<b>Screen Size (inches)</b>	15.6
<b>Touch Screen</b>	Optional
<b>Frame Finish</b>	Anodised Aluminium
<b>Display Resolution</b>	1920x1080
<b>Monitor Thickness</b>	20mm
<b>Aspect Ratio</b>	16:9
<b>Contrast</b>	700:1
<b>Brightness</b>	300
<b>Video Signal</b>	HDMI/VGA
<b>System Desktop Frame Size</b>	429mm*329mm*3mm*4-R10
<b>Housing Desktop Cut Size</b>	419mm*319mm
<b>Operating Temperature Range</b>	0~40°
<b>Operating Humidity Range</b>	10%~90% non-condensing
<b>Storage Temperature Range</b>	-20~60°
<b>Storage Humidity Range</b>	10%~90% non-condensing
<b>Parts Warranty</b>	2 Years

SEADA CONFERENCE  
 Oak Tree Park  
 Burnt Meadow Road  
 Moons Moat North Industrial Estate, Redditch,  
 Worcestershire, UK, B98 9NW  
[www.seada.co.uk](http://www.seada.co.uk)  
 Email: [sales@seada.co.uk](mailto:sales@seada.co.uk)  
 Phone: +44 (0)1527 584364  
 Fax: +44 (0)1527 962998